

In last summer (2008) finally I built a small version of the device which I modeling in my thesis in master of science of energy in 2004 !

### Fixed focal point Polar mounting Solar Cooker (Tanoor)



Fig.1 : Tanoor invited in an exhibition



Fig.2 : Tanoor in my home

I appreciate from Prof. sadrnezhaad , the administer of MERC (Material & Energy Research Center) in Karaj for supporting me to build this Solar Cooker.

#### Technical Data:

Concentrator: Hemisphere

Aperture Diameter : 50cm

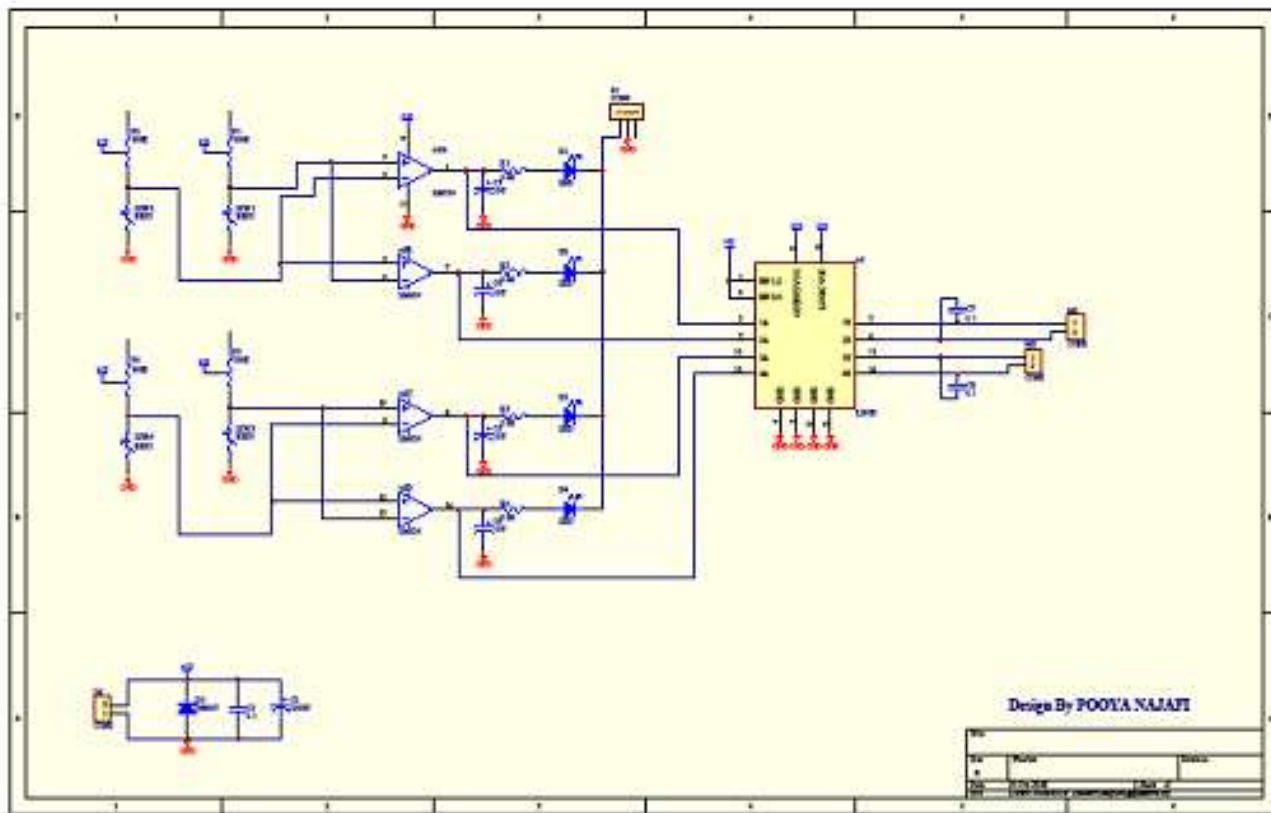
Mounting : Polar (Equatorial) , with Fixed Focal Point

Tracker Power : 2W (Photo voltaic)

Daily automatic tracking but needs about 6 degree per 3 weeks manual adjusting for declination axis



Fig. 3 : Traker sensor which I made it (two LDRs with a shade between them and adjustable mounting)



Thanks to my friend Mr. Pooya Najafi to build the tracker circuit.

And thanks to Mr. Daryoosh Azam for his fixed focal point design I use it.

Amir Mahdi Komarizade – [http://solarcooking.wikia.com/Amir\\_Komarizade](http://solarcooking.wikia.com/Amir_Komarizade)