

## Solar oven with five sides of double glazing (Patent # 139945)

Solar oven with five sides of double glazing is an improved form of “Khan’s Solar Oven” with a number of improvements and innovations.

Fig. 1 shows a side view of the device



Retention heat cooking is a salient feature of the device



Fig. 1

Fig. 2 shows the back of the oven showing the door closed and a digital thermometer fixed permanently.



Fig. 2

**Fig.3:**

**In this picture the Solar Oven is capped, and the reflectors are folded for storage.**



**Fig.3**

**Fig. 4:**

**The cap is an insulated box type cover to retain heat for retention heat cooking. The oven is covered with this cap during the intermitent sunshine. As a result the the heat is retained and the cookinng contineus for an extended period of time. This is an innovative feature of the oven.**



**Fig. 4**

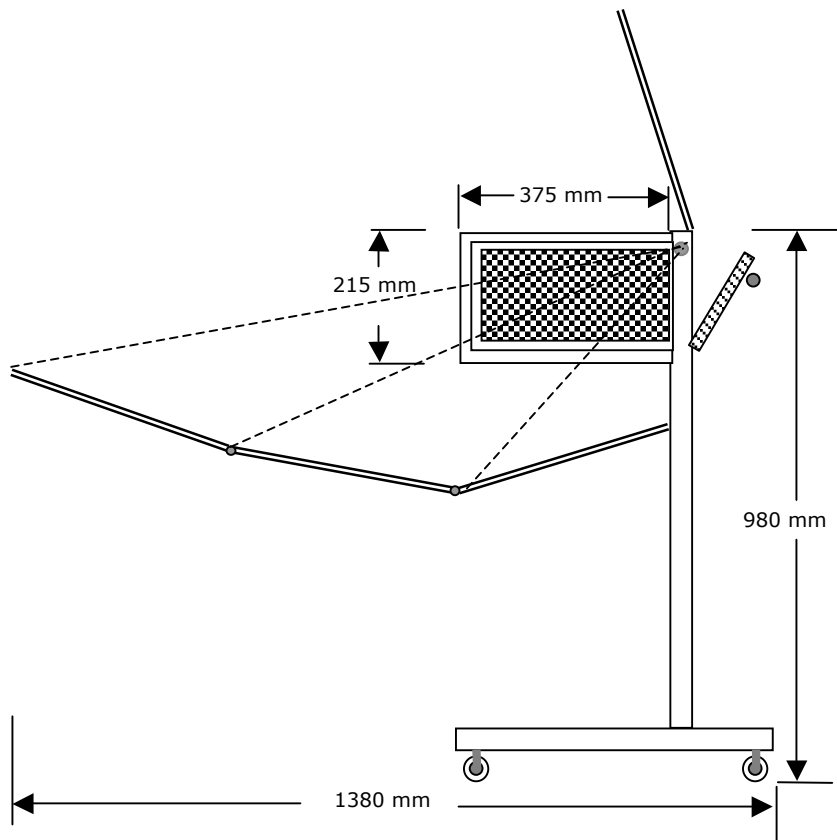
**Fig.3: shows a Side view of the Solar Oven. Yellow pipes protect the double glazing from any injury and are meant for holding the oven during the transportation. Double glazing and black cooking chamber is visible.**



**Fig.4 Side view of the Solar Oven showing the upper reflector.**



# Drawing



**Side view of Solar Oven with five sides of double glazing**